

BOGART PL

Millenium Series



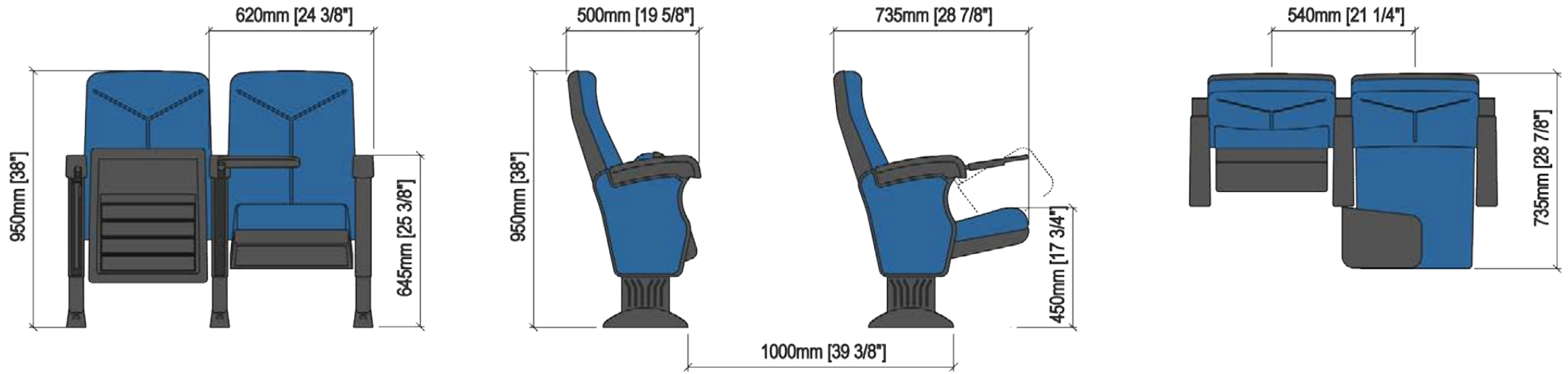
TECHNICAL SPECIFICATIONS

- Dimensions:** 54 - 56 cm seat centres
50 cm depth
95 cm height
- Backrest:** Cold moulded polyurethane foam 'UNIBLOCK 2' system, which wraps an injected polypropylene frame completely. All this structure is protected by a texturized injected polypropylene seat shell.
Polyurethane density 55 Kg/m³
- Seat:** Cold moulded polyurethane foam 'UNIBLOCK 2' system, which wraps an injected polypropylene frame completely. All this structure is protected by a texturized injected polypropylene seat shell.
The seat pan folds by means of an automatic noiseless maintenance-free double spring.
Polyurethane density 65 Kg/m³
- Side Panel:** Texturized injected polypropylene, 60mm
Anti-panic polystyrene writing pad system with interior steel structure, located in the interior of the side panel.
End row panels completely upholstered.
Concealed floor fixation system.
- Armrest:** Rounded texturized injected polypropylene.
- Volume:** 0.16 m³ / unit
- Weight:** 18.80 Kg not assembled

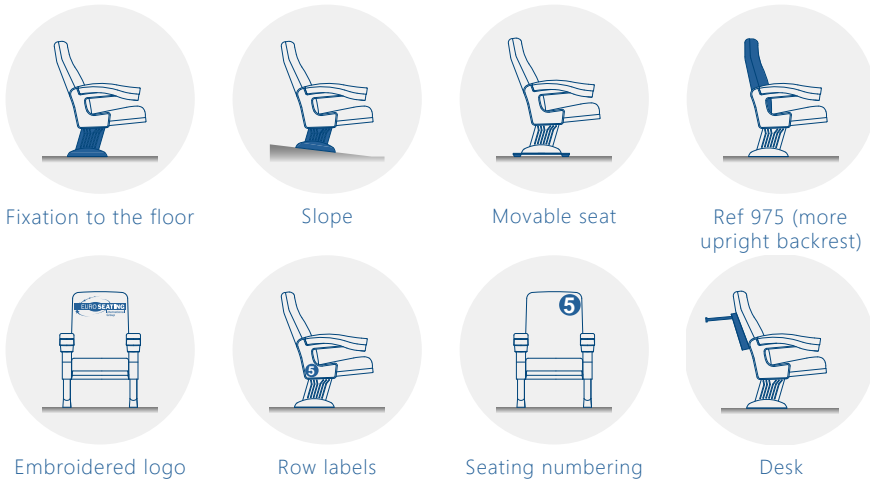
BOGART PL

Millenium Series

DRAWING



OPTIONS




CERTIFICATES

- BS 5852:2006
- BS-EN 1021-1:2006
- CAL TB 117-2013, SECTION 1
- UNE 23.727-90 1R (M1)
- UNE-EN 1021-1:2006 / UNE-EN 1021-2:2006
- BS 5852:1979 Parte 1

Fabric	Fire Barrier	Foam
●		
●		
●		
●	●	
●	●	●
	●	



 www.venueseating.dk

 info@venueseating.dk

 + 45 70236923



Venue Seating ApS
Lykkesholms Alle 7 B, 3 sal
1902 Frederiksberg C
Showroom: Smedeholm 11, 2730 Herlev