

# MICRA

## Micra Series



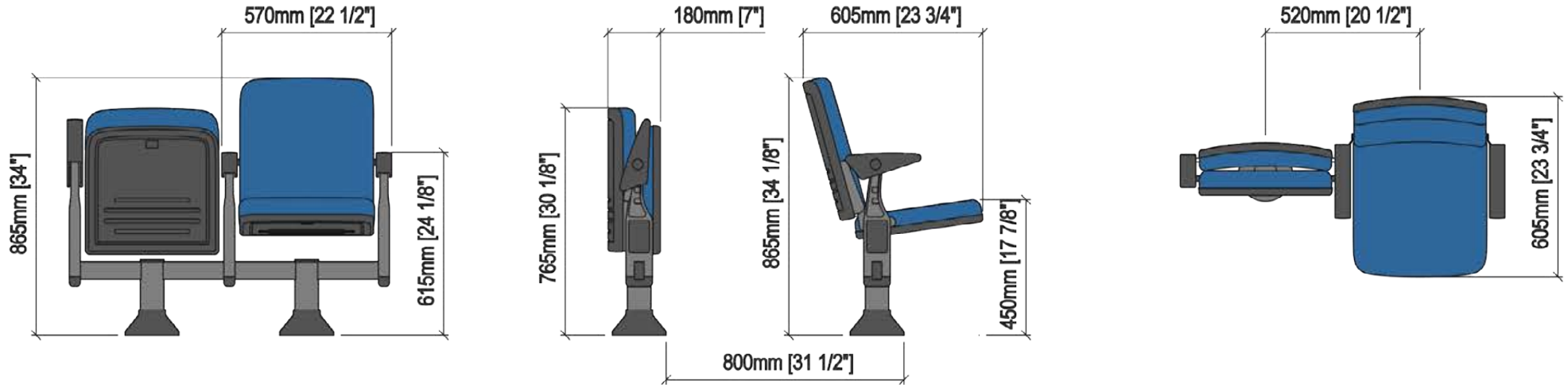
### TECHNICAL SPECIFICATIONS

- Dimensions:** 52 cm seat centres  
18 cm depth  
76.5 cm height
- Backrest:** Cold moulded polyurethane foam 'UNIBLOCK 2' system, which wraps a steel frame completely. All this structure is protected by a texturized injected polypropylene seat shell.  
Polyurethane density 55 Kg/m<sup>3</sup>
- Seat:** Cold moulded polyurethane foam 'UNIBLOCK 2' system, which wraps a steel frame completely. All this structure is protected by a texturized injected polypropylene seat shell.  
When the seat pan unfolds, the backrest leans and raises, thus adopting a standard position and so, the armrests remain in horizontal position, everything in a same single synchronized movement.  
The seat pan folds under an automatic noiseless maintenance-free gravity system.  
Polyurethane density 65 Kg/m<sup>3</sup>
- Side Panel:** Aluminium injection, finish in epoxy paint, fixed over a rectangular carbon steel bar.  
End row panels in texturized injected polypropylene.  
Concealed floor fixation system.
- Armrest:** Rounded texturized injected polypropylene.
- Volume:** 0.08 m<sup>3</sup> / unit
- Weight:** 17.00 Kg not assembled

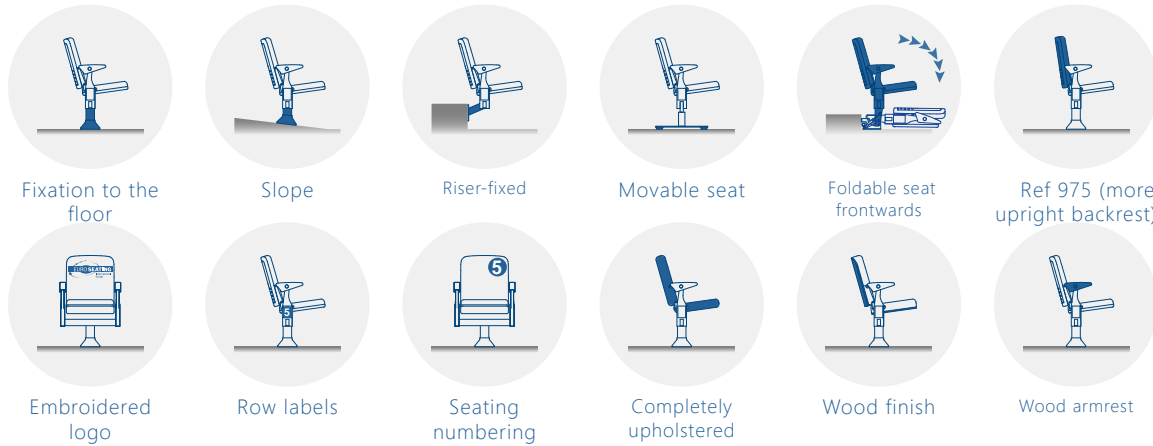
# MICRA

## Micra Series

### DRAWING



### OPTIONS




### CERTIFICATES

BS 5852:2006  
 BS-EN 1021-1:2006  
 CAL TB 117-2013, SECTION 1  
 UNE 23.727-90 1R (M1)  
 UNE-EN 1021-1:2006 / UNE-EN 1021-2:2006  
 BS 5852:1979 Parte 1

Fabric	Fire Barrier	Foam	Seat
●			
●			
●			
●	●		
●	●	●	●
	●		



 [www.venueseating.dk](http://www.venueseating.dk)

 [info@venueseating.dk](mailto:info@venueseating.dk)

 + 45 70236923



Venue Seating ApS  
Lykkesholms Alle 7 B, 3 sal  
1902 Frederiksberg C  
Showroom: Smedeholm 11, 2730 Herlev