

MICRA PL

Micra Series



TECHNICAL SPECIFICATIONS

Dimensions: 52 cm seat centres
18 cm depth
76.5 cm height

Backrest: Cold moulded polyurethane foam 'UNIBLOCK 2' system, which wraps a steel frame completely. All this structure is protected by a texturized injected polypropylene seat shell. Polyurethane density 55 Kg/m³

Seat: Cold moulded polyurethane foam 'UNIBLOCK 2' system, which wraps a steel frame completely. All this structure is protected by a texturized injected polypropylene seat shell. When the seat pan unfolds, the backrest leans and raises, thus adopting a standard position and so, the armrests remain in horizontal position, everything in a same single synchronized movement. The seat pan folds under an automatic noiseless maintenance-free gravity system. Polyurethane density 65 Kg/m³

Side Panel: Aluminium injection, finish in epoxy paint, fixed over a rectangular carbon steel bar. Anti-panic polystyrene writing pad system with interior steel structure, located in the interior of the side panel. End row panels in texturized injected polypropylene. Concealed floor fixation system.

Armrest: Rounded texturized injected polypropylene.

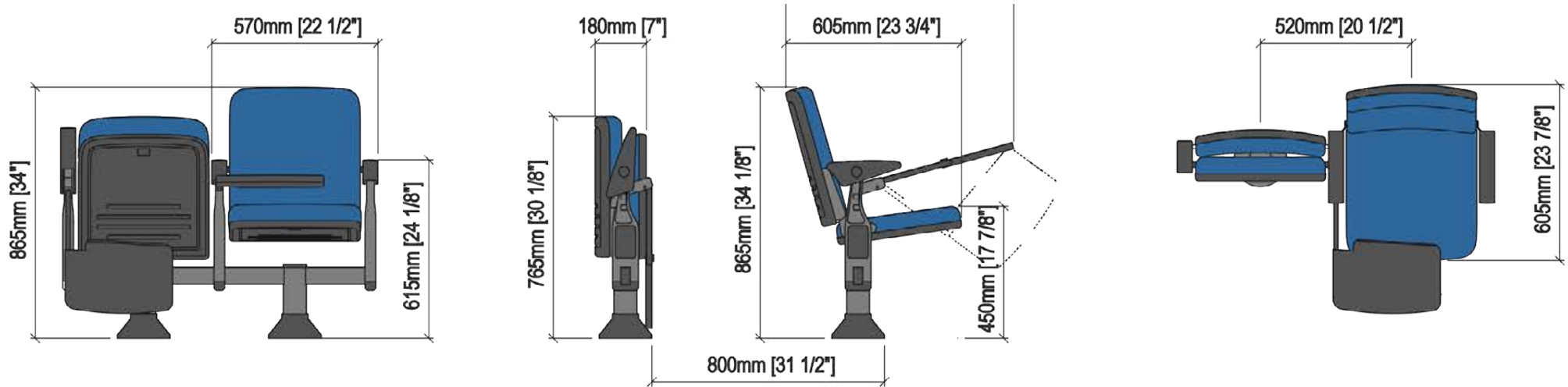
Volume: 0.08 m³ / unit

Weight: 18.50 Kg not assembled

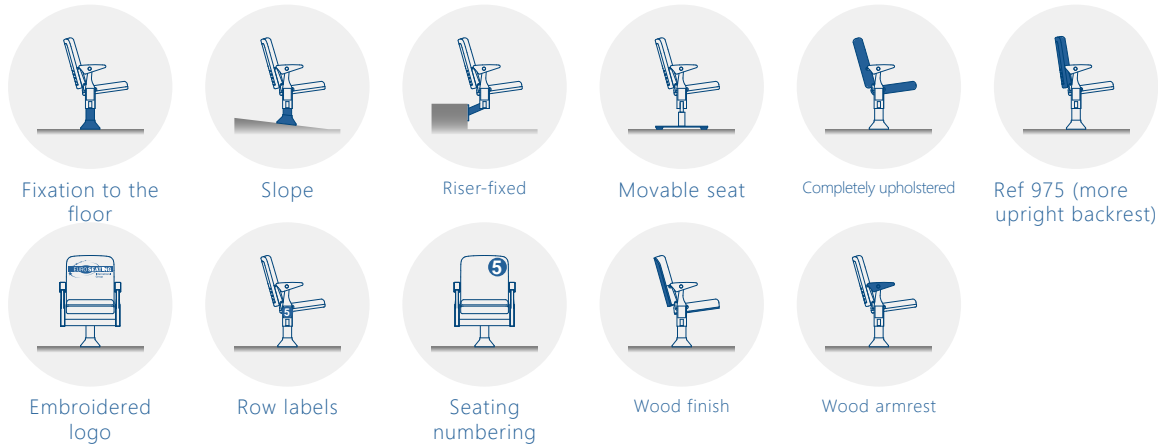
MICRA PL

Micra Series

DRAWING



OPTIONS



CERTIFICATES

BS 5852:2006
 BS-EN 1021-1:2006
 CAL TB 117-2013, SECTION 1
 UNE 23.727-90 1R (M1)
 UNE-EN 1021-1:2006 / UNE-EN 1021-2:2006
 BS 5852:1979 Parte 1

	Fabric	Fire Barrier	Foam	Seat
BS 5852:2006	●			
BS-EN 1021-1:2006	●			
CAL TB 117-2013, SECTION 1	●			
UNE 23.727-90 1R (M1)	●	●		
UNE-EN 1021-1:2006 / UNE-EN 1021-2:2006	●	●	●	●
BS 5852:1979 Parte 1		●		



 www.venueseating.dk

 info@venueseating.dk

 + 45 70236923



Venue Seating ApS
Lykkesholms Alle 7 B, 3 sal
1902 Frederiksberg C
Showroom: Smedeholm 11, 2730 Herlev