

MICRA TEK

Micra Series

TECHNICAL SPECIFICATIONS



Dimensions: 50 cm seat centres
15.5 cm depth
83.5 cm height

Backrest: Extrusion blow moulded in texturized high-density polyethylene.

Seat: Extrusion blow moulded in texturized high-density polyethylene.
When the seat pan unfolds, the backrest leans and raises, thus adopting a standard position and so, the armrests remain in horizontal position, everything in a same single synchronized movement.
The seat pan folds under an automatic noiseless maintenance-free gravity system

Side Panel: Aluminium injection, finish in epoxy paint, fixed over a rectangular carbon steel bar.
End row panels in texturized injected polypropylene.
Concealed floor fixation system.

Armrest: Rounded texturized injected polypropylene.

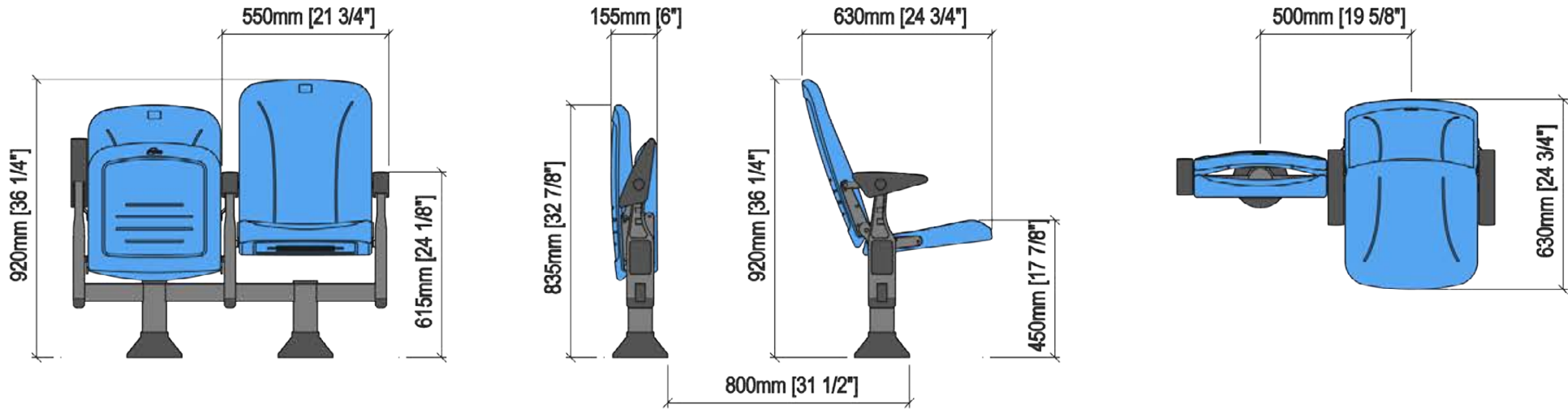
Volume: 0.09 m³ / unit

Weight: 15.00 Kg not assembled

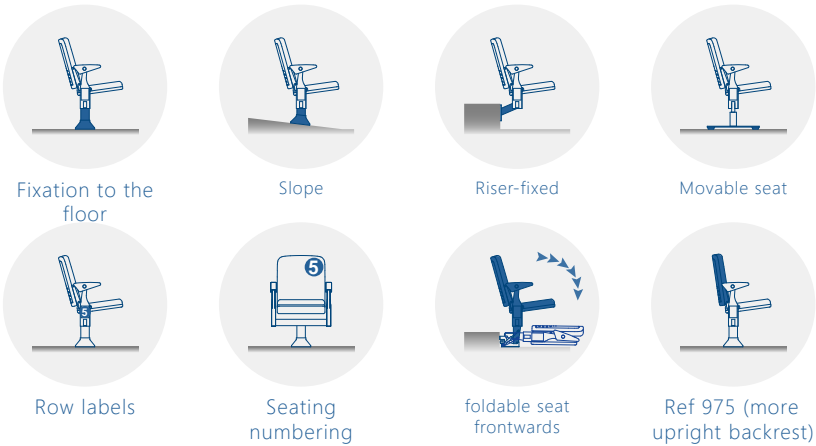
MICRA TEK

Micra Series

DRAWING



OPTIONS



CERTIFICATE

UNE 23.727-90 1R (M2 / M3) Opcional

Plastic



 www.venueseating.dk

 info@venueseating.dk

 + 45 70236923



Venue Seating ApS
Lykkesholms Alle 7 B, 3 sal
1902 Frederiksberg C
Showroom: Smedeholm 11, 2730 Herlev