

NUS PL

Studio Series

TECHNICAL SPECIFICATIONS



Dimensions: 54 - 56 cm seat centres
53.5 cm depth
98 cm height

Backrest: Fully upholstered by means of a fabric cover, made up of an open cell polyurethane foam block and a solid wood frame with thin canvas strips. All this structure is protected by a compressed wood cover.
Foam density, 40 Kg/m³

Seat: Cold moulded polyurethane foam 'UNIBLOCK 2' system, which wraps an injected polypropylene frame completely. It is later upholstered by means of a fabric cover. The seat pan folds by means of an automatic noiseless maintenance-free double spring.
Polyurethane density 65 Kg/m³

Side Panel: Wood fibres board, finish in beech. Anti-panic polystyrene writing pad system with interior steel structure, located in the interior of the side panel. Concealed floor fixation system by means of a steel plinth.

Armrest: Included in the very side panel.

Volume: 0.160 m³ / unit

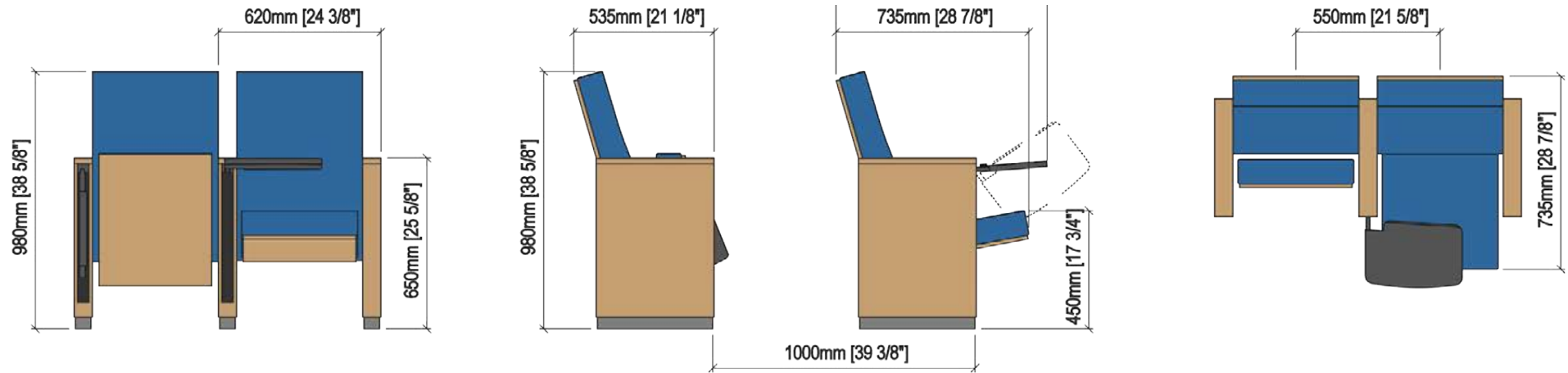
Weight: 26.00 Kg not assembled



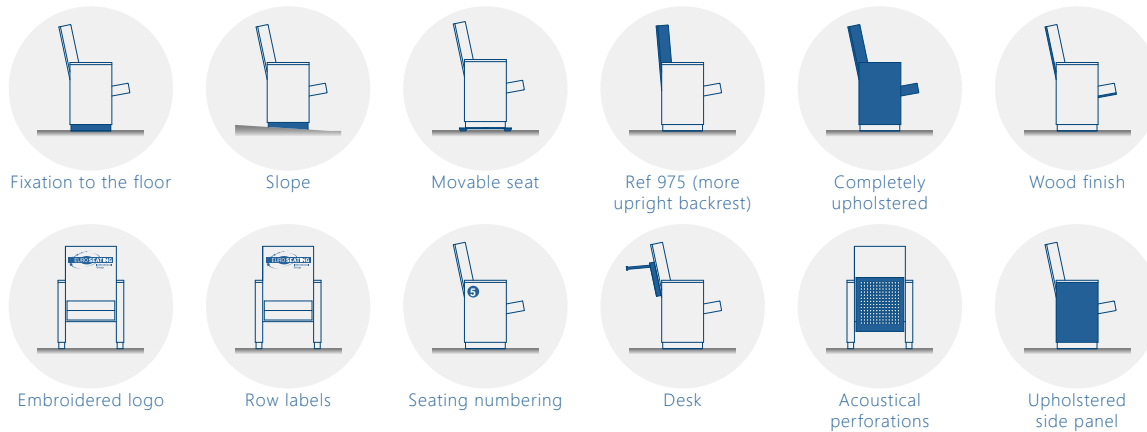
NUS PL

Studio Series

DRAWING



OPTIONS




CERTIFICATES

BS 5852:2006
 BS-EN 1021-1:2006
 CAL TB 117-2013, SECTION 1
 UNE 23.727-90 1R (M1)
 UNE-EN 1021-1:2006 / UNE-EN 1021-2:2006
 BS 5852:1979 Parte 1
 Acoustic absorption coefficient

| | Fabric | Fire Barrier | Foam | Seat |
|---|--------|--------------|------|------|
| BS 5852:2006 | ● | | | |
| BS-EN 1021-1:2006 | ● | | | |
| CAL TB 117-2013, SECTION 1 | ● | | | |
| UNE 23.727-90 1R (M1) | ● | ● | | |
| UNE-EN 1021-1:2006 / UNE-EN 1021-2:2006 | ● | ● | ● | ● |
| BS 5852:1979 Parte 1 | | ● | | |
| Acoustic absorption coefficient | | | | ● |



 www.venueseating.dk

 info@venueseating.dk

 + 45 70236923



Venue Seating ApS
Lykkesholms Alle 7 B, 3 sal
1902 Frederiksberg C
Showroom: Smedeholm 11, 2730 Herlev