



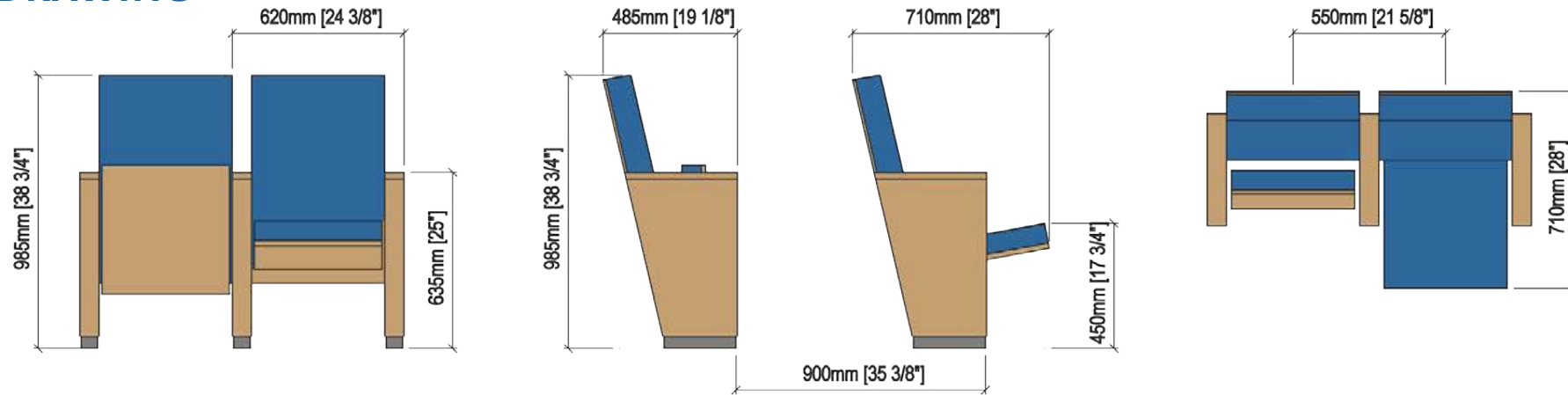
TECHNICAL SPECIFICATIONS

- Dimensions:** 54 a 56 cm seat centres
48.5 cm depth
98.5 cm height
- Backrest:** Fully upholstered by means of a fabric cover, made up of an open cell polyurethane foam block and a solid wood frame with thin canvas strips. All this structure is protected by a compressed wood cover.
Foam density, 40 Kg/m³
- Seat:** Cold moulded polyurethane foam 'UNIBLOCK 2' system, which enfolds an injected polypropylene frame completely, later upholstered by means of a fabric cover. All this structure is protected by a compressed wood cover. The seat pan folds by means of an automatic noiseless maintenance-free double spring.
Polyurethane density 65 Kg/m³
- Side Panel:** Wood fibres board, finish in beech.
Concealed floor fixation system by means of a steel plinth.
- Armrest:** Included in the very side panel.
- Volume:** 0.160 m³ / unit
- Weight:** 24.20 Kg not assembled

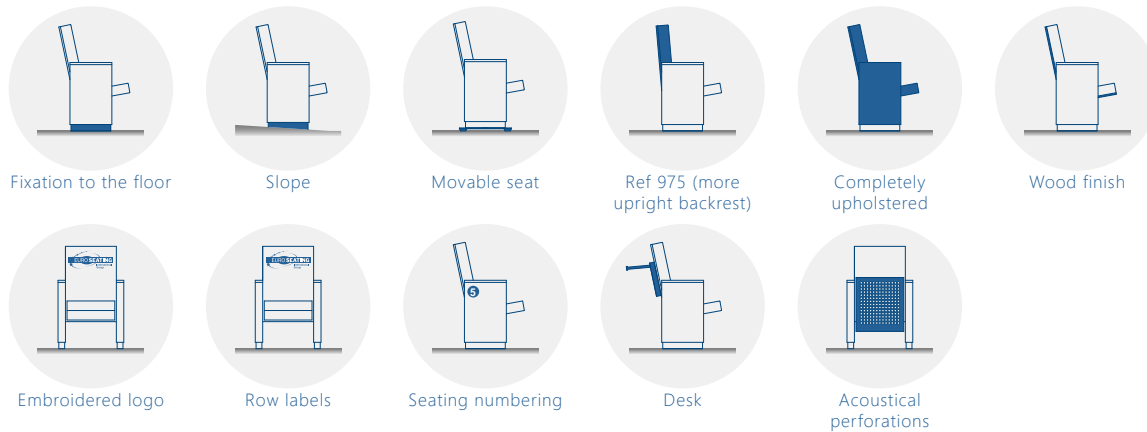
THALES

Studio Series

DRAWING



OPTIONS



CERTIFICATES

BS 5852:2006
 BS-EN 1021-1:2006
 CAL TB 117-2013, SECTION 1
 UNE 23.727-90 1R (M1)
 UNE-EN 1021-1:2006 / UNE-EN 1021-2:2006
 BS 5852:1979 Parte 1
 Coeficiente de absorción acústica

	Fabric	Fire Barrier	Foam	Seat
BS 5852:2006	●			
BS-EN 1021-1:2006	●			
CAL TB 117-2013, SECTION 1	●			
UNE 23.727-90 1R (M1)	●	●		
UNE-EN 1021-1:2006 / UNE-EN 1021-2:2006	●	●	●	●
BS 5852:1979 Parte 1		●		
Coeficiente de absorción acústica				●



 www.venueseating.dk

 info@venueseating.dk

 + 45 70236923



Venue Seating ApS
Lykkesholms Alle 7 B, 3 sal
1902 Frederiksberg C
Showroom: Smedeholm 11, 2730 Herlev