

THALES PL

Studio Series



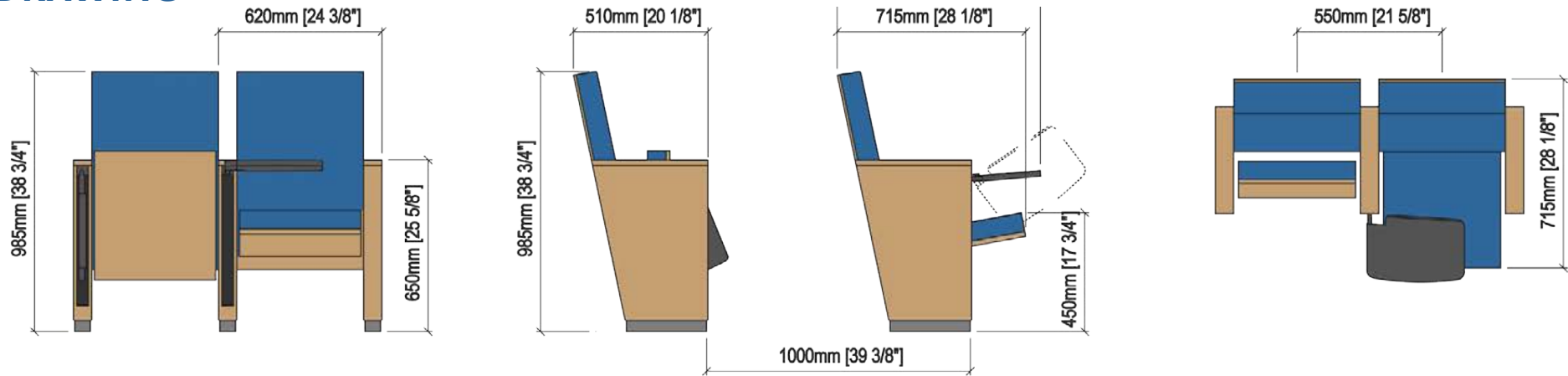
TECHNICAL SPECIFICATIONS

- Dimensions:** 54 - 56 cm seat centres
51 cm depth
98.5 cm height
- Backrest:** Fully upholstered by means of a fabric cover, made up of an open cell polyurethane foam block and a solid wood frame with thin canvas strips. All this structure is protected by a compressed wood cover.
Foam density, 40 Kg/m³
- Seat:** Cold moulded polyurethane foam 'UNIBLOCK 2' system, which enfolds an injected polypropylene frame completely, later upholstered by means of a fabric cover. All this structure is protected by a compressed wood cover.
The seat pan folds by means of an automatic noiseless maintenance-free double spring.
Polyurethane density 65 Kg/m³
- Side Panel:** Wood fibres board, finish in beech.
Anti-panic polystyrene writing pad system with interior steel structure, located in the interior of the side panel.
Concealed floor fixation system by means of a steel plinth.
- Armrest:** Included in the very side panel.
- Volume:** 0.160 m³ / unit
- Weight:** 24.20 Kg not assembled

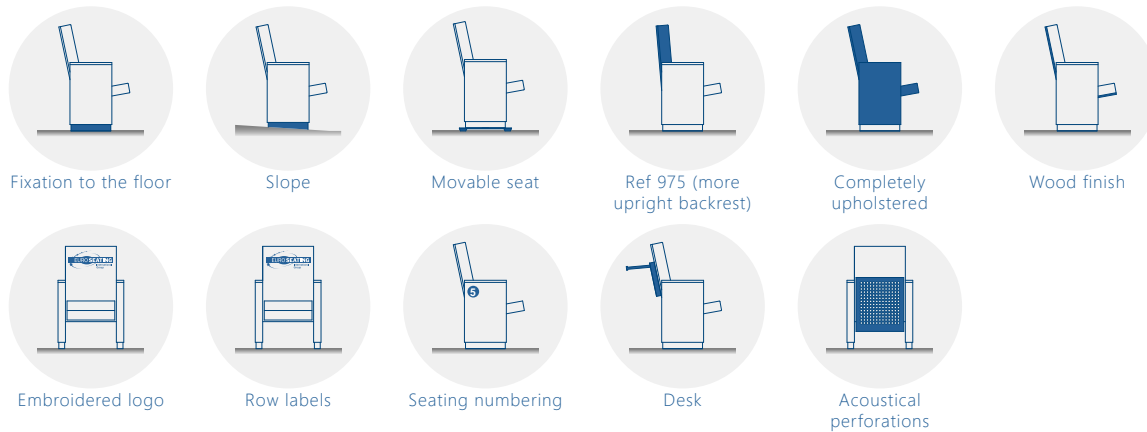
THALES PL

Studio Series

DRAWING



OPTIONS




CERTIFICATES

- BS 5852:2006
- BS-EN 1021-1:2006
- CAL TB 117-2013, SECTION 1
- UNE 23.727-90 1R (M1)
- UNE-EN 1021-1:2006 / UNE-EN 1021-2:2006
- BS 5852:1979 Parte 1
- Acoustic absorption coefficient

	Fabric	Fire Barrier	Foam	Seat
BS 5852:2006	●			
BS-EN 1021-1:2006	●			
CAL TB 117-2013, SECTION 1	●			
UNE 23.727-90 1R (M1)	●	●		
UNE-EN 1021-1:2006 / UNE-EN 1021-2:2006	●	●	●	●
BS 5852:1979 Parte 1		●		
Acoustic absorption coefficient				●



 www.venueseating.dk

 info@venueseating.dk

 + 45 70236923



Venue Seating ApS
Lykkesholms Alle 7 B, 3 sal
1902 Frederiksberg C
Showroom: Smedeholm 11, 2730 Herlev