



TECHNICAL SPECIFICATIONS

Dimensions: 52 a 54 cm seat centres
47 cm depth
90 cm height

Backrest: Manufactured over a MDF board, bowed in roof tile-shaped, on which an open cell polyurethane foam block _ upholstered by means of a fabric cover_ is fixed. All this structure is protected by a wood covering and a perimeter frame in beech compressed wood.
Foam density, 40 Kg/m³

Seat: Manufactured over a MDF board, bowed in roof tile-shaped, on which an open cell polyurethane foam block _ upholstered by means of a fabric cover_ is fixed. All this structure is protected by a wood covering and a perimeter frame in beech compressed wood.
The seat pan folds by means of an automatic noiseless maintenance-free double spring.
Foam density, 40 Kg/m³

Side Panel: Wood fibres board, finish in beech. Steel central leg.
Concelaed floor fixation system.

Armrest: Straight-shaped varnished solid wood.

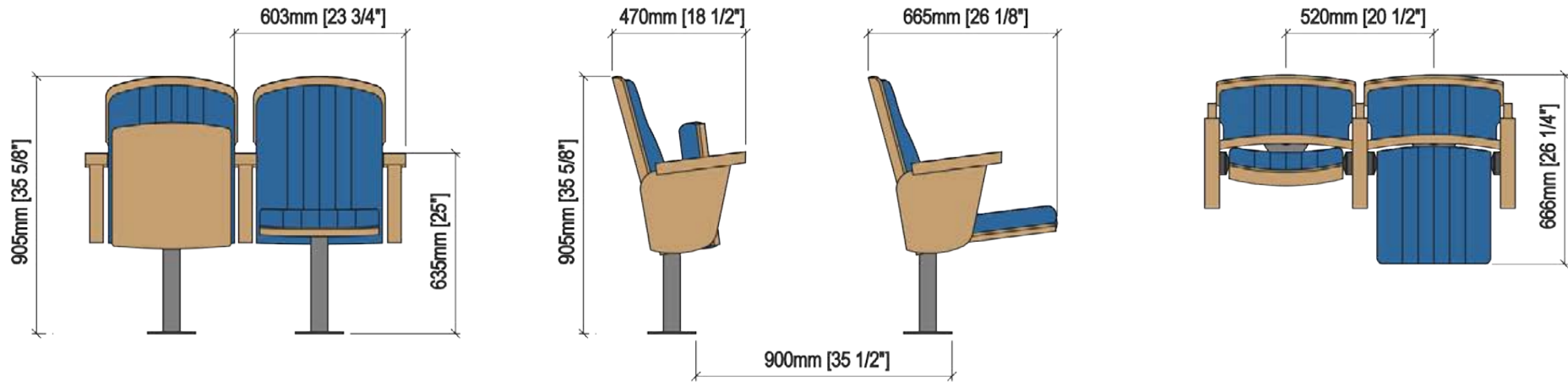
Volume: 0.140 m³ / unit

Weight: 17.00 Kg not assembled

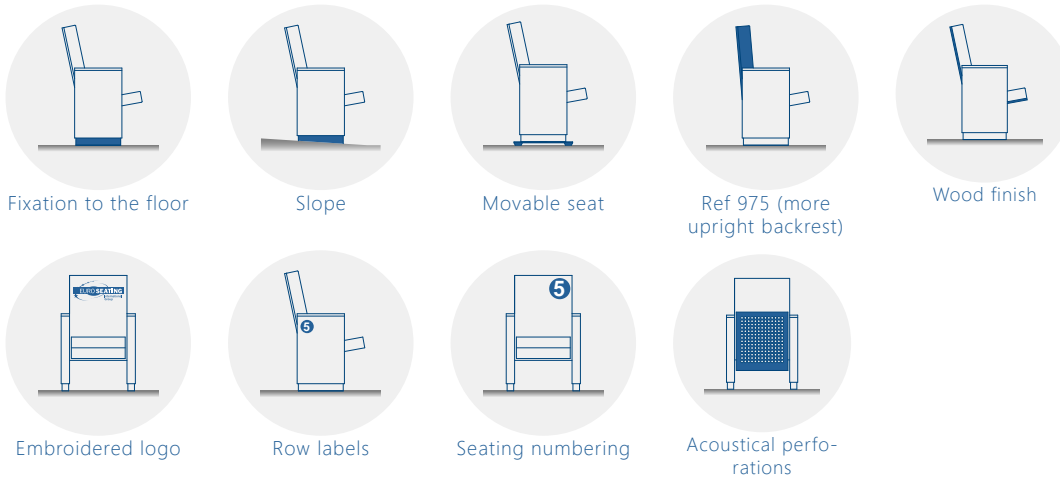
WAGNER

Studio Series

DRAWING



OPTIONS



CERTIFICATES

- BS 5852:2006
- BS-EN 1021-1:2006
- CAL TB 117-2013, SECTION 1
- UNE 23.727-90 1R (M1)
- UNE-EN 1021-1:2006 / UNE-EN 1021-2:2006
- BS 5852:1979 Parte 1
- Coefficiente de absorción acústica

	Fabric	Fire Barrier	Foam	Seat
BS 5852:2006	●			
BS-EN 1021-1:2006	●			
CAL TB 117-2013, SECTION 1	●			
UNE 23.727-90 1R (M1)	●	●		
UNE-EN 1021-1:2006 / UNE-EN 1021-2:2006	●	●	●	●
BS 5852:1979 Parte 1		●		
Coefficiente de absorción acústica				●



 www.venueseating.dk

 info@venueseating.dk

 + 45 70236923



Venue Seating ApS
Lykkesholms Alle 7 B, 3 sal
1902 Frederiksberg C
Showroom: Smedeholm 11, 2730 Herlev