

ZENON PL

Studio Series

TECHNICAL SPECIFICATIONS



Dimensions: 54 - 56 cm seat centres
54 cm depth
98 cm height

Backrest: Fully upholstered by means of a fabric cover, made up of an open cell polyurethane foam block and a solid wood frame with thin canvas strips. All this structure is protected by a compressed wood cover.
Foam density, 40 Kg/m³

Seat: Cold moulded polyurethane foam 'UNIBLOCK 2' system, which enfolds an injected polypropylene frame completely, later upholstered by means of a fabric cover. All this structure is protected by a compressed wood cover. The seat pan folds by means of an automatic noiseless maintenance-free double spring.
Polyurethane density 65 Kg/m³

Side Panel: Wood fibres board, finish in beech.
Anti-panic polystyrene writing pad system with interior steel structure, located in the interior of the side panel.
Concealed floor fixation system by means of a steel plinth.

Armrest: Included in the very side panel.

Volume: 0.160 m³ / unit

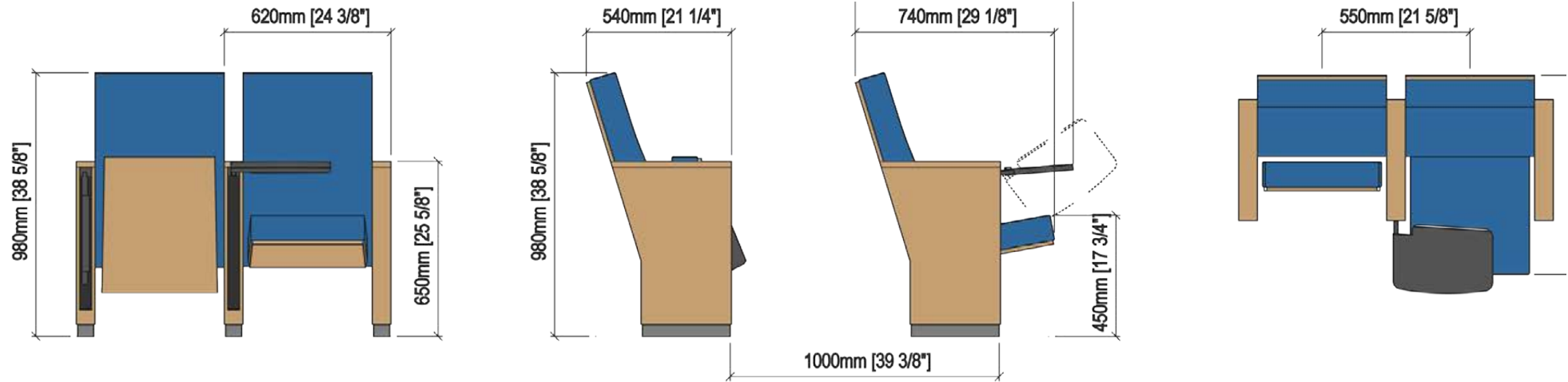
Weight: 24.65 Kg not assembled



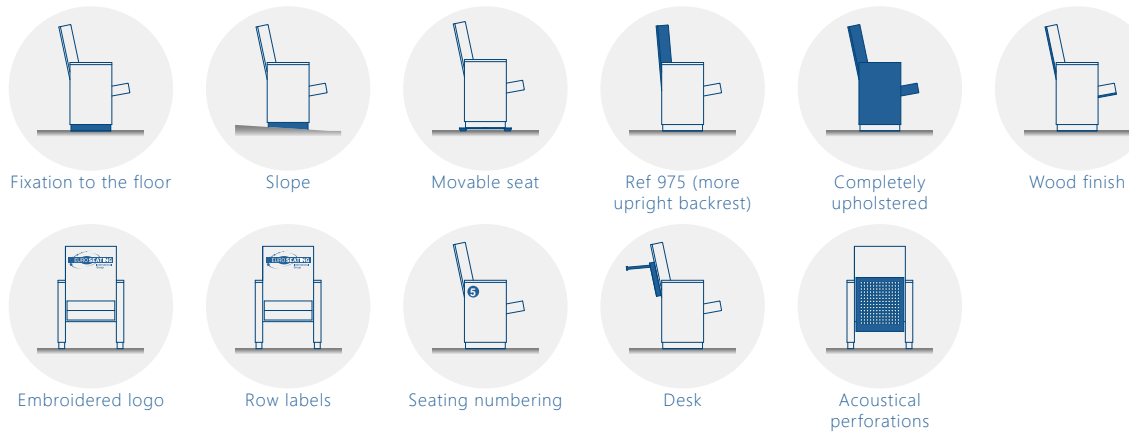
ZENON PL

Studio Series

DRAWING



OPTIONS



CERTIFICATES

- BS 5852:2006
- BS-EN 1021-1:2006
- CAL TB 117-2013, SECTION 1
- UNE 23.727-90 1R (M1)
- UNE-EN 1021-1:2006 / UNE-EN 1021-2:2006
- BS 5852:1979 Parte 1
- Acoustic absorption coefficient

Fabric	Fire Barrier	Foam	Seat
●			
●			
●			
●	●		
●	●	●	●
	●		
			●



 www.venueseating.dk

 info@venueseating.dk

 + 45 70236923



Venue Seating ApS
Lykkesholms Alle 7 B, 3 sal
1902 Frederiksberg C
Showroom: Smedeholm 11, 2730 Herlev